

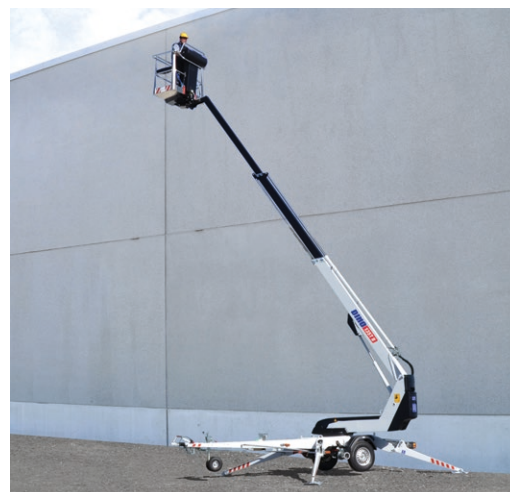
# Meet

## DINO 135T II

### DINO® TRAILER MOUNTED MEWPs

#### Standard features in DINO 135T II

- Lightweight, robust, cost-effective
- Driving system; easy to move at work site
- Spacious, easy-entry basket; capacity 215 kg
- Large outrigger pads 280 x 360 mm
- Continuous rotation of the boom; easy and functional
- Basket rotation 90°
- Proportional controls
- Stable to tow, easy to transport
- Simple to use, clear and informative controls

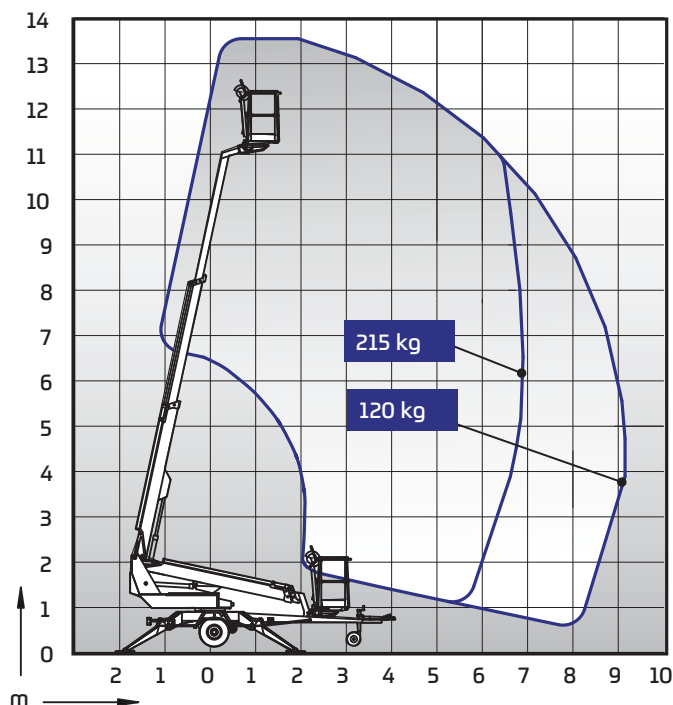


#### Options available for DINO 135T II

- Petrol engine
- Cable steering for driving
- Outrigger support indicator
- LED working lights
- DINO SafeGuard secondary guarding
- Extra outrigger pads 500 x 500 x 35 mm+ bracket
- Lockable tool / harness box
- Rack for tools and accessories
- Spare wheel

#### Technical data

|                             | 135T II     |
|-----------------------------|-------------|
| Max. working height         | 13.50 m     |
| Max. platform height        | 11.50 m     |
| Max. outreach               | 9.10 m      |
| Support width               | 3.8 / 4.2 m |
| Lifting capacity            | 215 kg      |
| Basket size                 | 0.7 x 1.3 m |
| Boom rotation               | cont.       |
| Basket rotation             | 90°         |
| Boom control                | proport.    |
| Transport length            | 6.09 m      |
| Transport width             | 1.79 m      |
| Transport height            | 2.16 m      |
| Weight                      | 1635 kg     |
| Driving system              | std         |
| AC socket in the basket x 2 | std         |
| Electric motor 110/230VAC   | std         |
| Petrol engine               | opt.        |
| Gradeability                | 25 %        |



# DINOLIFT

UP TO THE JOB

DINOLIFT Oy | Raikkolantie 145 • FI-32210 LOIMAA, FINLAND

Tel: +358 (0)20 1772 400 • E-mail: info@dinolift.com

[www.dinolift.com](http://www.dinolift.com)

Technical specifications are subject to change without prior notice.

©Dinolift Oy | 25.6.2019